



## ML331 600mm Straight Grab Rail

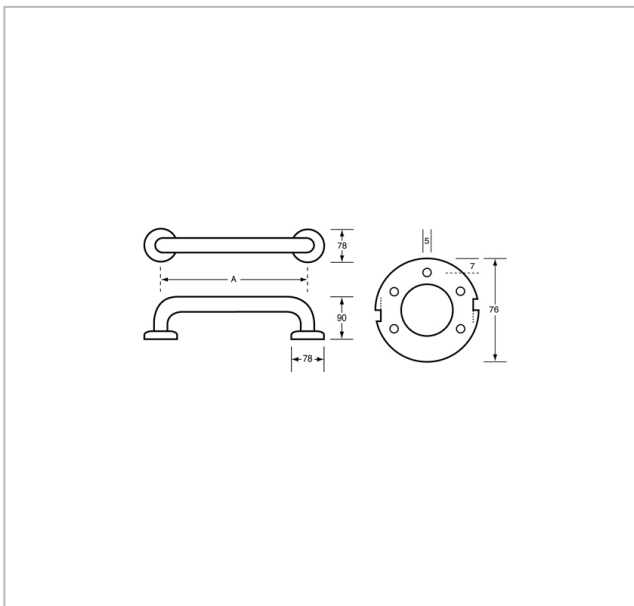
### SPECIFICATIONS

<b>Material</b>	#304 Stainless Steel - 32mmØ	
<b>Finish</b>	Satin Stainless Steel	
<b>Mounting</b>	Concealed Fix - 78mmØ Mount	
<b>Dimensions</b>	6	00mm C to C
<b>Also Available</b>	<b>ML327</b>	- 300mm C to C
	<b>ML328</b>	- 350mm C to C
	<b>ML329</b>	- 400mm C to C
	<b>ML330</b>	- 450mm C to C
	<b>ML332</b>	- 750mm C to C
	<b>ML338</b>	- 800mm C to C
	<b>ML333</b>	- 900mm C to C
	<b>ML334</b>	- 1000mm C to C
	<b>ML335</b>	- 1200mm C to C
	<b>ML336</b>	- 1500mm C to C

**Note** \* This unit is accessible compliant when installed in accordance with AS1428.1. guidelines.

**Related Video** [Stainless Steel Cleaning & Maintenance](#)

### SUITABLE APPLICATIONS



The photographs and line drawings of the products presented above are representational only. Metlam Australia Pty Ltd reserves the right to, and from time to time, make changes and improvements in design and dimensions.